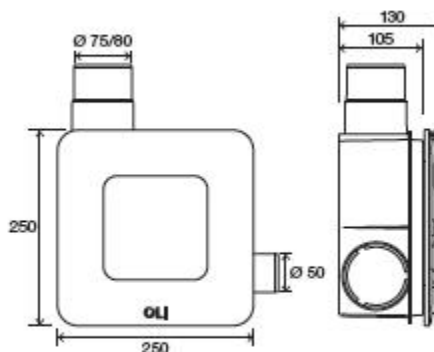


Technical Sheet

Happy Air PLUS



Product Identification

880377

- Happy Air Fan Plus

Definition and Application

- High extraction capacity 100 m³/h
- Compatible with OLI74 Plus cistern and all its control plates
- Removes 30% of odours
- Removes 70% of condensation
- Can adjust between 85 m³/h and 100 m³/h

Technical Features

- Dual function on a single aspiration fan
- It can be installed on the wall or ceiling
- Activated by switch or sensor
- 960 Lumen LED
- Humidity sensor that can be set to automatically turn on
- Possible to adjust the operating time after the user switches the switch off (2min-20min)
- Anti-back flow valve
- Paintable cover panel
- Melamine filter – noise reduction

Millimetres measures

Technical Sheet

Happy Air PLUS



Technical Data

- Frequency: 50hz
- Power Supply: 220V
- The extractor fan operates at 220V/50Hz
- Active current: 0.14 A
- Power: 31W
- Insulation: IP35

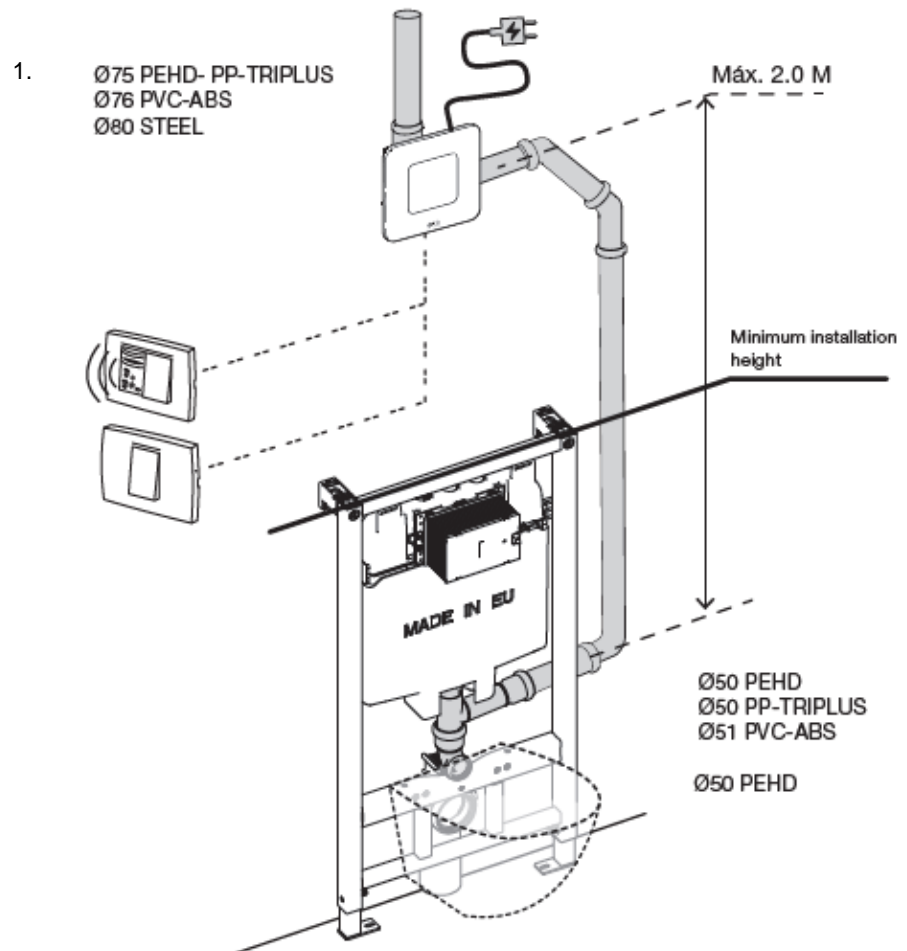
Performance Data

- Capacity 85m³/h- 12W 34dB
- Capacity 100m³/h- 20W 38dB.
- Maximum suction pressure: 190 Pa
- Rotating speed: 1900rpm

Accessories

- 1 Fan fixation kit
- 1 Fan tank
- 1 Connecting pipe for aspiration system
- 1 Connecting pipe for exhaustion system
- 1 Fan
- 1 Filter protection plate

Dimensional Data



Main Pipelin Measuring

Two installation systems:

1. **Configuration A** – One Happy Air in every flat
2. **Configuration B** – Two Happy Air in every flat

➤ According to following conditions

- Contemporaneous utilization factor: 100% (all Happy Air systems work at the same time)
- Vertically installed main pipeline
- Constant main pipeline diameter
- Outlet residual pressure: 75 Pa
- Pipeline roughness: 0.15mm
- Flat height: 2.75m
- Pipelin length up to the roof aerator: 1.50m Secondary pipelines made of DN 80 pipes, are 2 m long and include 2 elbows

Pipes Laying and Configuration

➤ Depends on the chosen configuration of the system

- The ventilator connection pipe must be connected to the main pipe, the dimension of which must be calculated beforehand and sized as described in the product handbook
- The connection must be made with 45° branches in order to facilitate expulsion of the inhaled air
- The connection can be made directly to the soil stack with primary ventilation, as long as it is higher than emission points of discharge networks of the stack
- In the case of waste systems with parallel ventilation, the connection pipe can be connected to the parallel ventilation stack

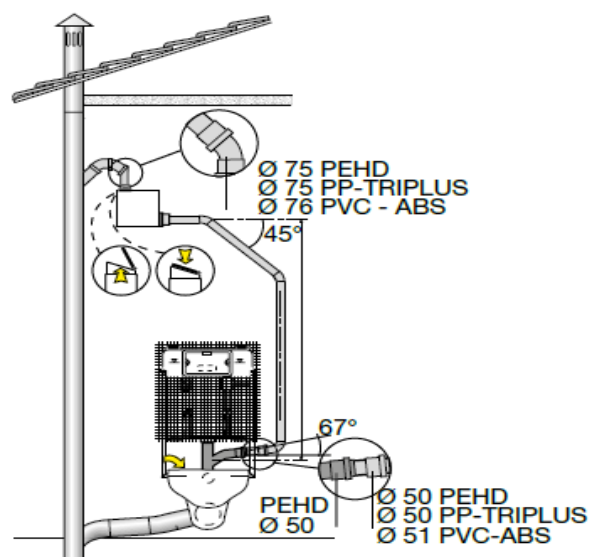


Figure 1. Connection to the primary ventilation pipe.

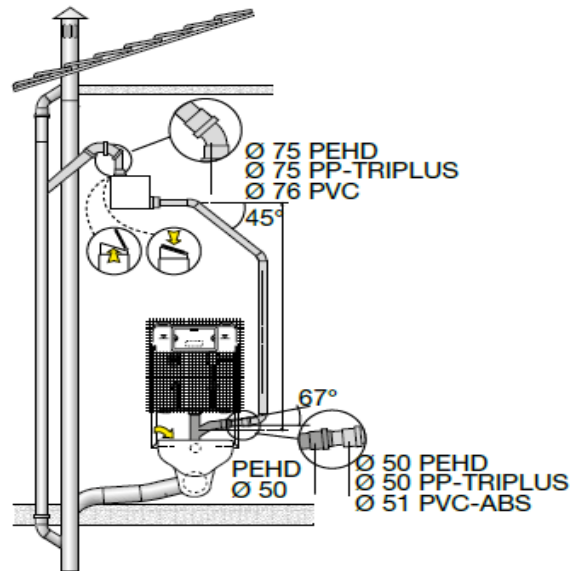


Figure 2. Connection to the secondary ventilation pipe.

Warranty

- Two (2) years warranty according to the general selling terms, starting from the purchase date of the product.
- If the product is not correctly installed the warranty is not valid

Observations

- For more information please consult our Sanitary Installation Systems catalogue or our site www.oli.pt

This product is artistically made in conformity to applicable CEE rules and is manufactured to allow rooms and similar air change, wherever the product is installed. Please follow all these indications to ensure performance, mechanical and electrical reliability and keep always this instruction leaflet. Do not use this product for different application unless indicated by us.

1-Remove packing and make sure that the appliance is undamaged.

2-Check that your electrical voltage and frequency correspond to those marked on the fan rating label.

3-This appliance must only be used for the purpose it was built for, i.e. air replacement for domestic and similar purposes.

4-Do not operate the appliance in the presence of inflammable vapours (alcohol, petrol, etc.).

5-Before carrying out any cleaning or maintenance disconnect the mains electrical supply to the fan by means of a double pole switch or remove the plug. Any maintenance and cleaning operation that requires dismantling the unit must only be done by someone who is a property qualified person.

6-Make sure you have completely assembled the product before running.

7-Periodically, at least once a year or more frequently in case of heavy use, remove dirt and incrustation from the impeller and motor casing and, if necessary, clean or replace the filter. It is also very important to make sure the impeller is not deformed or cracked, is able to rotate freely and without oscillation, and is properly fixed to the shaft.

8-When the appliance is out of use, remove the power lead. Moreover, make potentially dangerous parts harmless, especially with regard to children who might play with appliance when it is not in use.

9-Installation must be carried out by qualified personnel according to manufacturer's instructions. Incorrect installation can cause damage to people, animals or properties for which the manufacturer cannot be considered liable.

10-The fan is a fixed appliance and the main supply must be done by flexible cable with plug or by a onnipolar switch with a minimum opening of the contacts of 3 mm.

11-When installing the fan in a room containing a combustion heater ensure that there is sufficient air to supply both appliances. This is to ensure the efficient operation of the heater and to allow a proper operation of the fan. The fan must discharge into a single fume pipe or directly outside.

12-This appliance can be used by children aged from 8 years and above and persons with reduced physical sensory or mental capabilities or lack of experience and knowledge if they have been given supervision or instruction concerning use of the appliance in a safe way and understand the hazards involved. Children shall not play with the appliance. Cleaning and user maintenance shall not be made by children without supervision