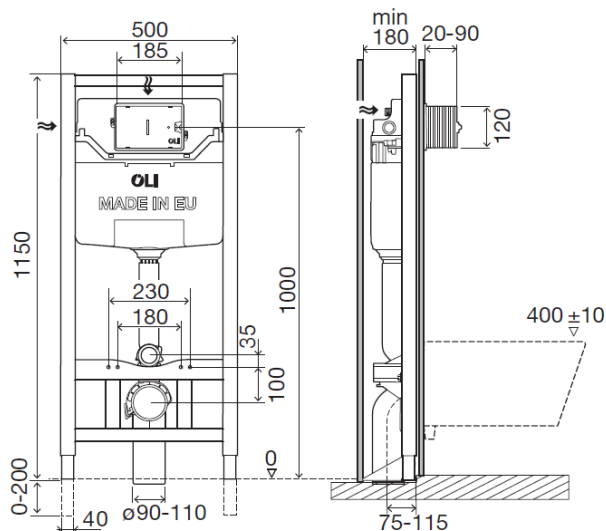


# Technical Sheet

OLI120



## Product Identification

880781

- OLI120 Mechanic OLIpure Free-Standing

## Definition and Application

- Preassembled structure to be secured to the floor only for the installation of wall-hung pans inside light walls
- Compatible with all wall-hung WC pans
- Flush cistern with interior cleaning system for WC pan

## Technical Features

### Structure

- In painted tubular corrosion resistant
- Height adjustable from 0 to 200mm
- Depth adjustable outlet bend
- Tested for 400kg load

Millimetres measure

## Cistern

- Dual flush in-wall cistern 6/3 litres (adjustable to 4/2 and 7/3) compatible with dual flush actuators (Narrow OLIpure and Glam OLIpure)
- Mechanic actuation
- Equipped with Azor Inlet Valve
- Working pressure from 0,1 to 16 bar
- Resistance to atmospheric humidity (Hr <90%).
- Polypropylene (PP) cistern highly resistant and inalterable to thermal stress
- EN 14055
- Other versions compliant with NF/KIWA/BELGAQUA standards
- Supplied with anti-condensation lining

## OLIpure System

- Simple refilling system through a control plate of the cistern
- Compatible with all the existents detergent on the market (except those containing hydrochloric acid) \*
- Storage capacity:450ml

## Accessories

- 1 Flush pipe  $\varnothing$  90 x 250
- 1 Seal for Flush pipe  $\varnothing$  125
- 1 Connecting pipe  $\varnothing$  45 x 180
- 1 Pan rubber seal  $\varnothing$  45
- 1 Protective box
- 1 G 1/2" stop valve
- 1 Protection sponge for the stop valve
- 1 Flush bend  $\varnothing$  90 / 90 L230
- 1 Outlet bend and  $\varnothing$ 90/110 adaptor
- 1 Protection pipe  $\varnothing$ 90
- 1 Protection pipe  $\varnothing$ 45

### Fixing accessories for wall structure:

- 4 Bushing for metal structure

### Fixing accessories for toilet bowl mounting on the structure:

- 2 Threaded rods M12
- 2 Nuts M12
- 2 Protection for threaded rod
- 2 Protection cover
- 2 Toilet centring washer
- 2 Washers Zn  $\varnothing$  34

## Warranty

- Ten (10) years warranty according to the general selling terms, starting from the purchase date of the product.
- If the product is not correctly installed the warranty is not valid

## Observations

- There are available similar products. For more information please consult our Sanitary Installation Systems catalogue or our site [www.oli-world.com](http://www.oli-world.com)

\*Is recommended the use of chlorine-free liquid detergents with a viscosity between 150 and 300 cp (at 20 ° C)  
cp\* is a unit of measure of viscosity, it reads "centipoise"