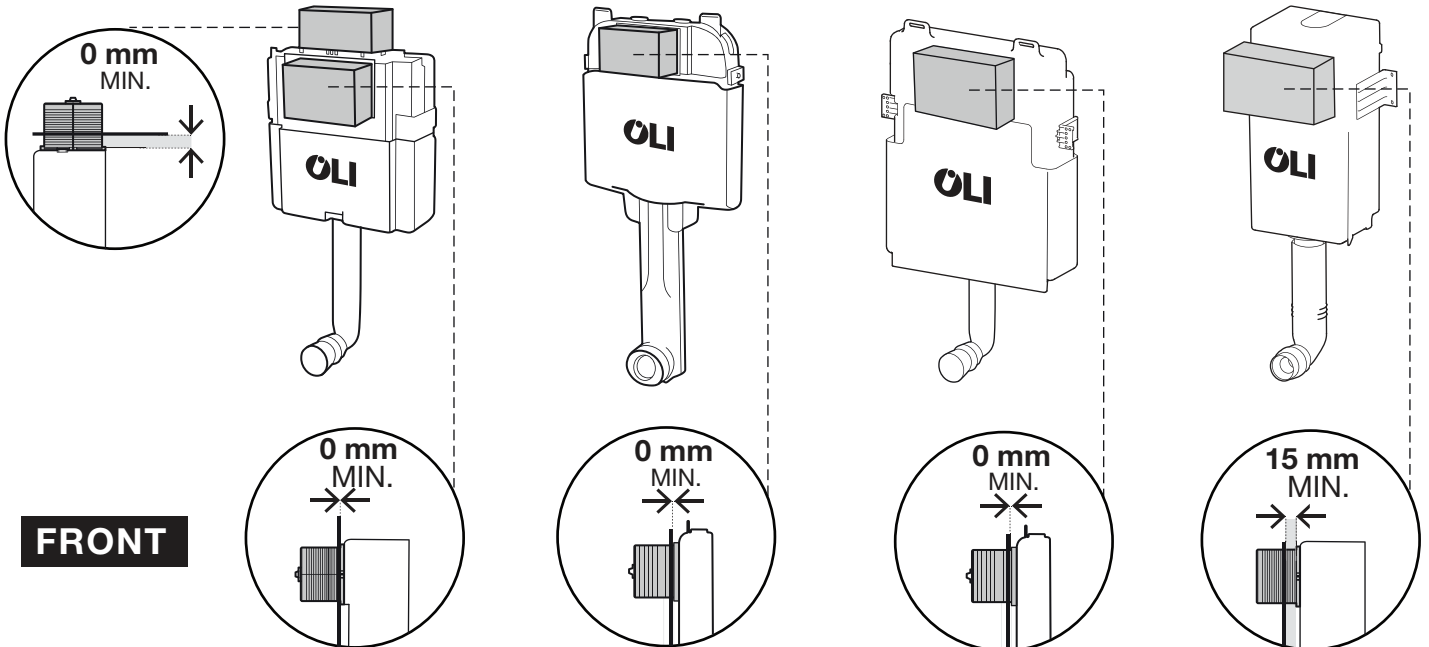


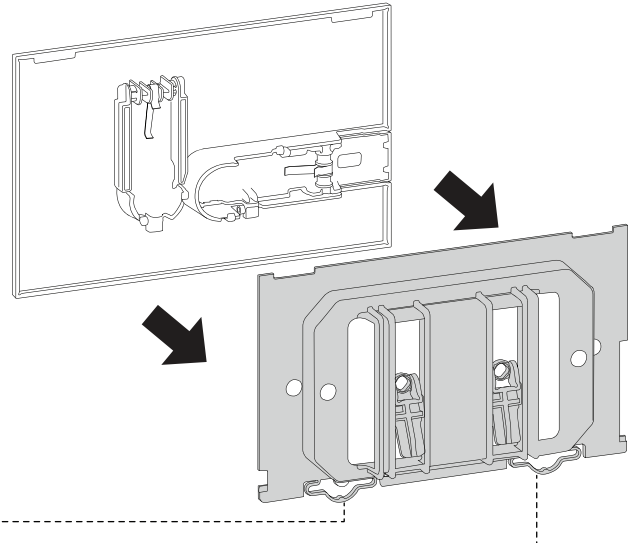
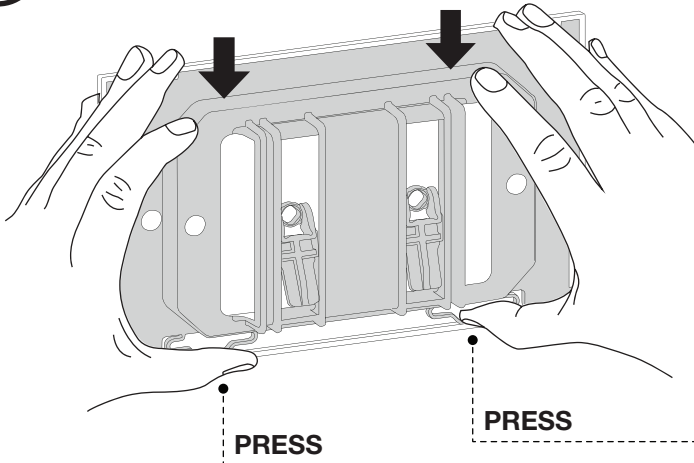
(dimensions in millimeters)

TOP



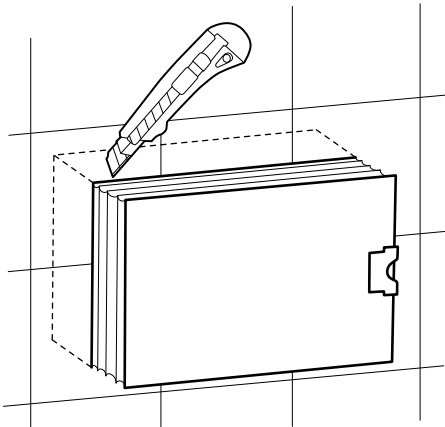
FRONT

i

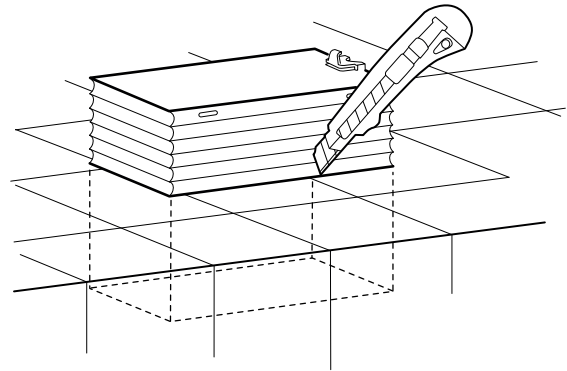


1

FRONT

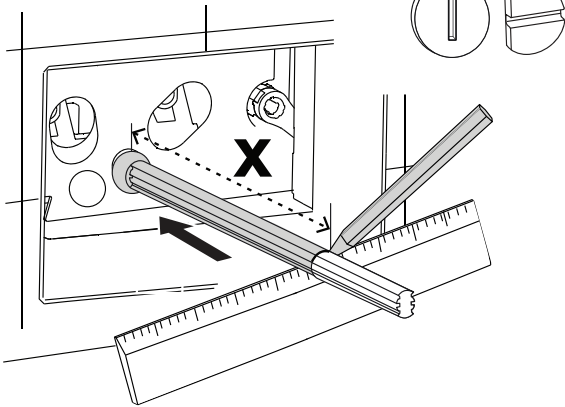


TOP



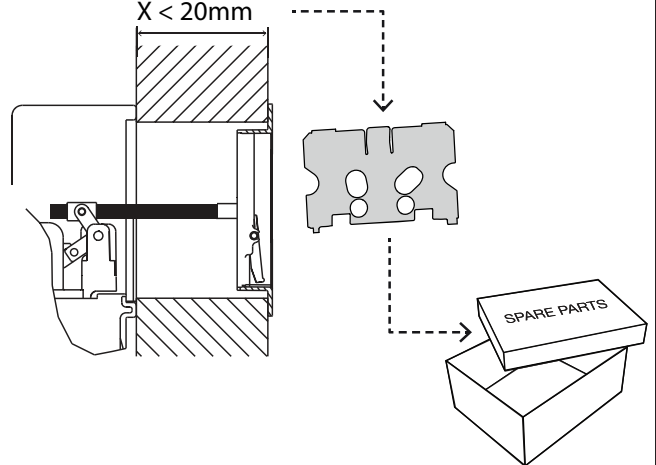
2

x2 x2



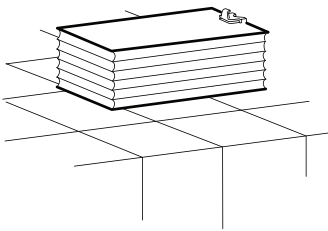
3

X < 20mm



3

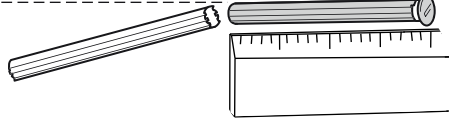
TOP



x2



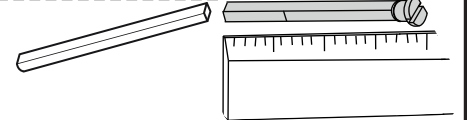
← X + 10mm →



x2

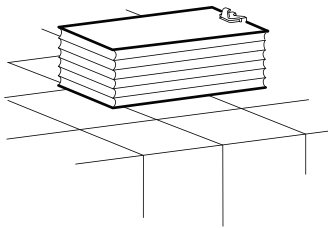


← X + 75mm →



3

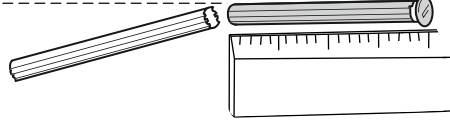
TOP



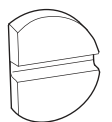
x2



← X + 10mm →



x2



← X + 75mm →



4

